

Differential Pressure Gauges

With Bourdon Tube Element, Vee-Entry • Model 711.11

Pressure Gauges

Service intended

Measurement of pressure differential or duplex measurement of 2 pressures applied.

Suitable for all gaseous and liquid media that will not obstruct the pressure system or attack copper alloy parts.

Nominal size

100 and 160 mm

Accuracy class

1.6 per DIN 16 005

Design

2 independent bourdon tube pressure elements. Pressure entry by integral Vee-stem.

Scale ranges

0 ... 0.6 to 0 ... 60 bar

or equivalent other units of pressure or vacuum.

Standard ranges per DIN 16 128.

Scale range must be selected in consideration of the highest static pressure applied. The pressure differential to be indicated should be no less than $\frac{1}{6}$ of the full scale range.

When ordering please state both, the static pressure applied and the differential to be indicated.

Working pressure

Steady: $\frac{3}{4}$ x full scale value

Fluctuating: $\frac{2}{3}$ x full scale value

Short time: full scale value

Operating temperature

Ambient: -20 ... +60 °C

Medium: +60 °C maximum

Temperature error

Additional error when temperature of the pressure element deviates from +20 °C

Rising temperature: +0.3%/10 K of the true scale value

Falling temperature: -0.3%/10 K of the true scale value

Weather protection

IP 33 per EN 60 529 / IEC 529

Standard features

Pressure connection

Radial entry only

Material: Cu-alloy

Threaded entry per DIN 16 288

2 x G $\frac{1}{2}$ A identified ⊕ and ⊖

Pressure elements

Cu-alloy, C-type



Movement

Cu-alloy, wear parts argentan

Dial

White aluminium with black lettering per DIN 16 109

Pointer

Aluminium

1 black pointer

1 white graduated disk indicator scale

± 50% of ⊕- and ⊖- differential pressure scale

Case

Black finish steel case

Window

Instrument glass

Bezel ring

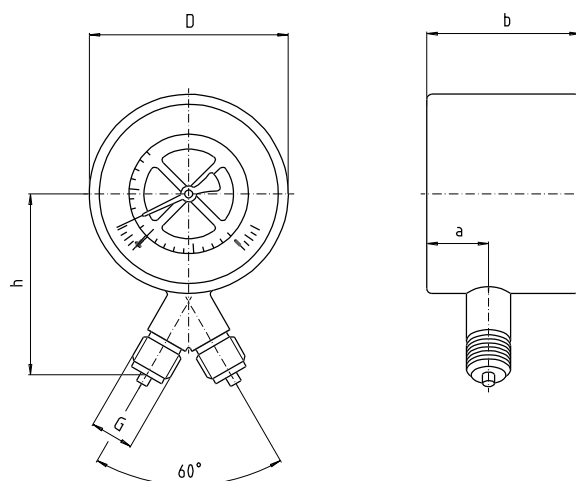
Slip-on ring, black finish steel

Optional extras

- 1 each black and red pointer indicating independently (duplex indication)
- 3-hole panel or surface mounting flange
- 160 mm only: alarm contacts (see data sheet AE 08.01)

Dimensions

Standard version



1035 185

Nominal size	Dimensions [mm]					Weight [kg]
	a	b	D	G	$h \pm 1$	
100	31.5	82	100	G ½ A	91	1.00
160	31.5	86.5	160	G ½ A	120	1.60

Standard pressure entry with parallel thread and seating to DIN 16 288.

Ordering information

State:

Pressure gauge model / Nominal size / Scale range / Differential or duplex pressure indication / Maximum pressure applied / Maximum pressure differential / Size of connection / Optional extras required

Specifications and dimensions given in this leaflet represent the state of engineering at the time of printing. Modifications may take place and materials specified may be replaced by others without prior notice.



WIKA Alexander Wiegand GmbH & Co.
Alexander-Wiegand-Straße · 63911 Klingenberg
☎ (0 9372) 132-0 · ☒ (0 9372) 132-406/414
<http://www.wika.de> · E-mail: info@wika.de